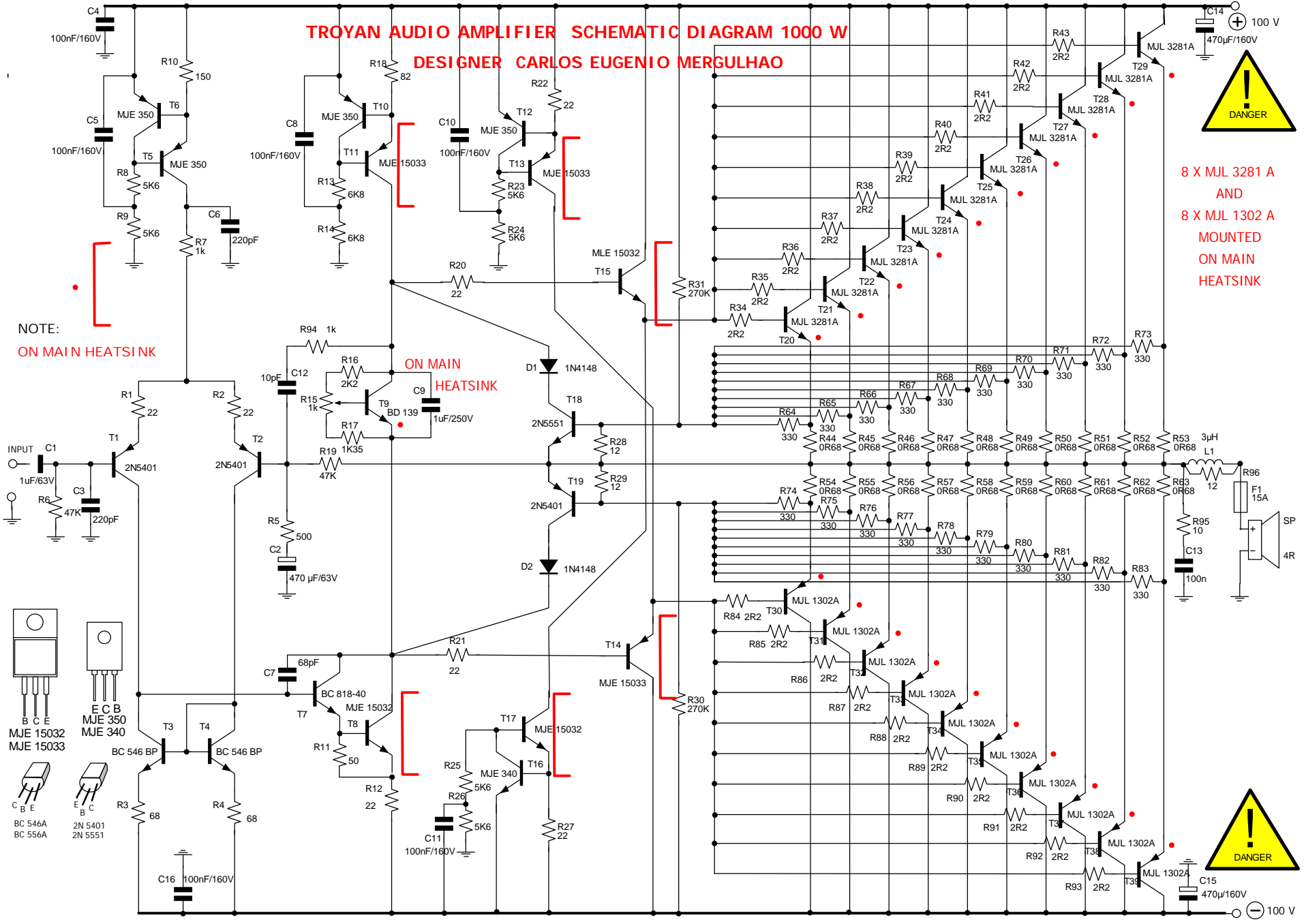


TROYAN AUDIO AMPLIFIER SCHEMATIC DIAGRAM 1000 W
DESIGNER CARLOS EUGENIO MERGULHAO



NOTE:
 ON MAIN HEATSINK

ON MAIN
 HEATSINK

8 X MJL 3281 A
 AND
 8 X MJL 1302 A
 MOUNTED
 ON MAIN
 HEATSINK

